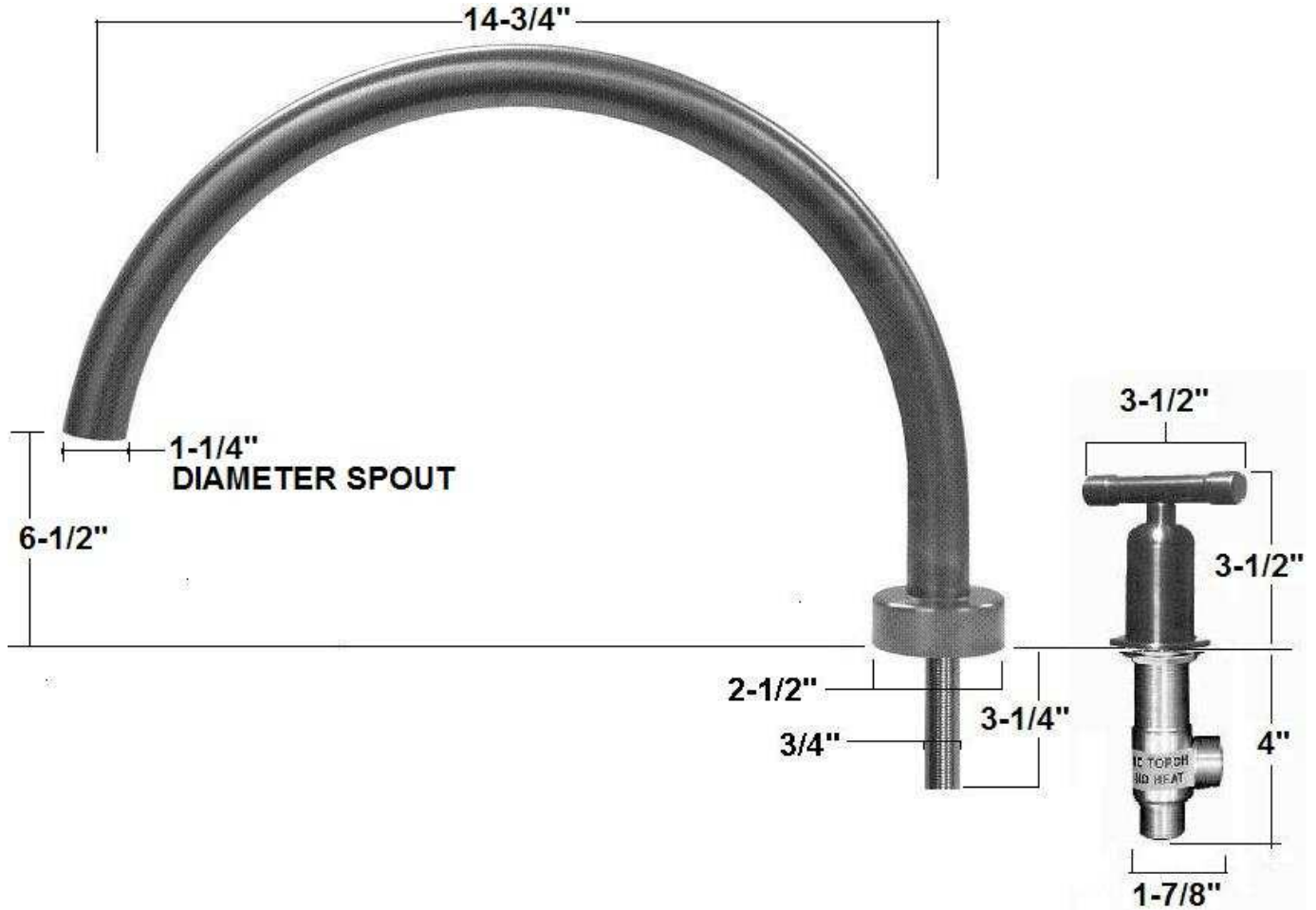




PRODUCT SPECIFICATIONS

Wherever Tub Filler with Gooseneck Spout
WE-RTF-DM-GN

Jan 2014



- ADA Compliant
- Offset and Cross handles available
- Custom finishes available

Connection	3/4" NPT
Valve	3/4" Ceramic
GPM	10-14